

## Manual Antenna Stand MAS 1.0/1.5-35kg

### Technical data:

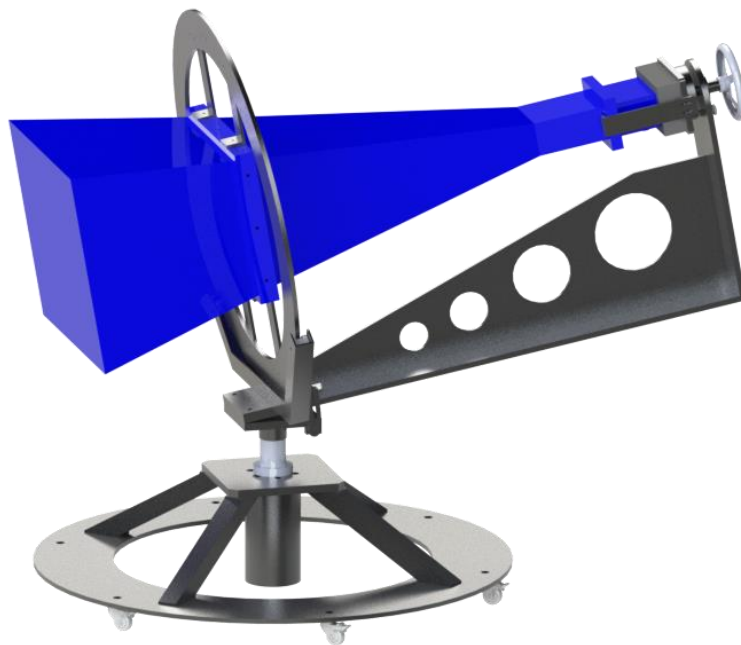
Antenna height manually adjustable by hydraulic cylinder	1.0 m – 1.5 m
Load capability	max. 35 kg
Material	Aluminium
Manual polarization by hand wheel	0° / 90° (vert. / hor.)
Tilt angle manual adjustable	0° - 30°
Operating temperature	10° C – 35 ° C
Total weight	approx. 85 kg

### Brief description

The Manual Antenna Stand **MAS 1.0/1.5-35kg** is specifically designed for measurements in electromagnetic absorption chambers at a fixed measuring height of heavy antennas.

Polarization change is performed manually from 0° to 90°. The antenna bar height is manually adjustable by a hydraulic cylinder from 1.0 to 1.5 m. The antenna can be tilted by 30°.

The antenna rotates during polarization around their axis to eliminate any elevation errors.



Information presented enclosed is subject to change as product enhancements are made regularly. Pictures included are for illustration purposes only and do not represent all possible configurations.

Sales Partner:



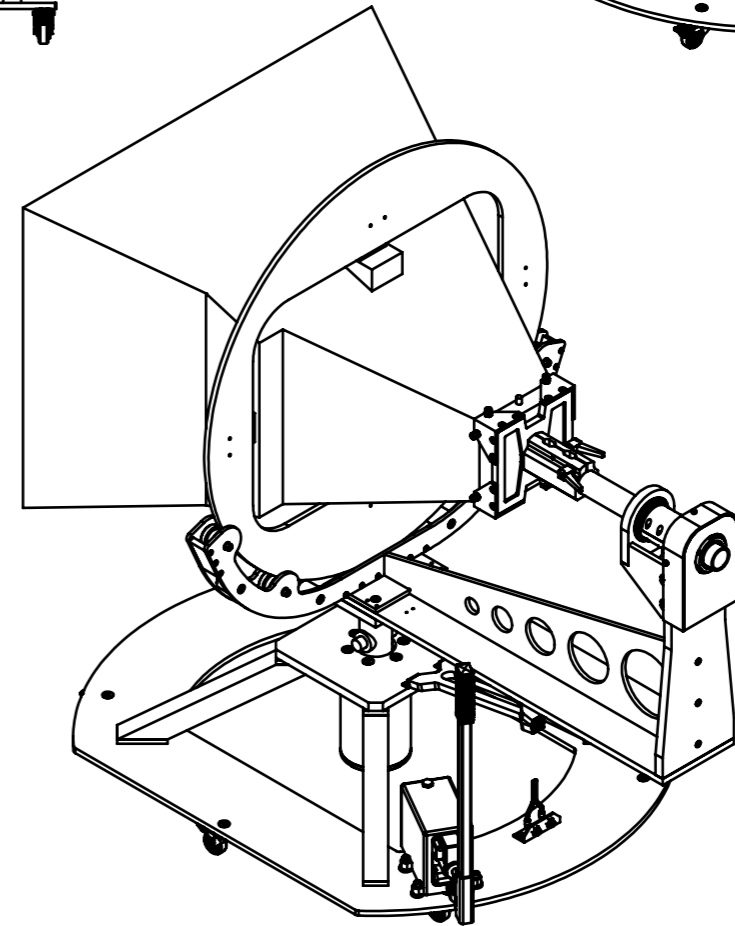
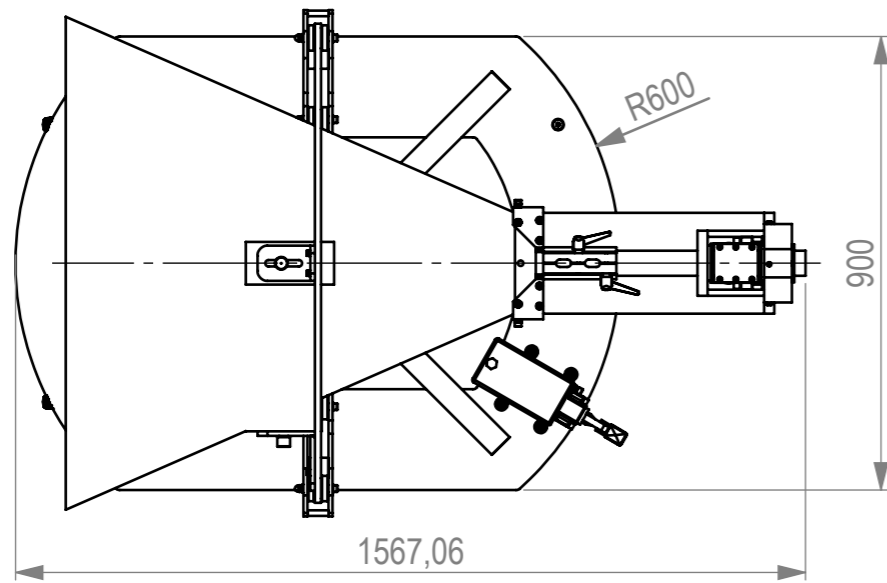
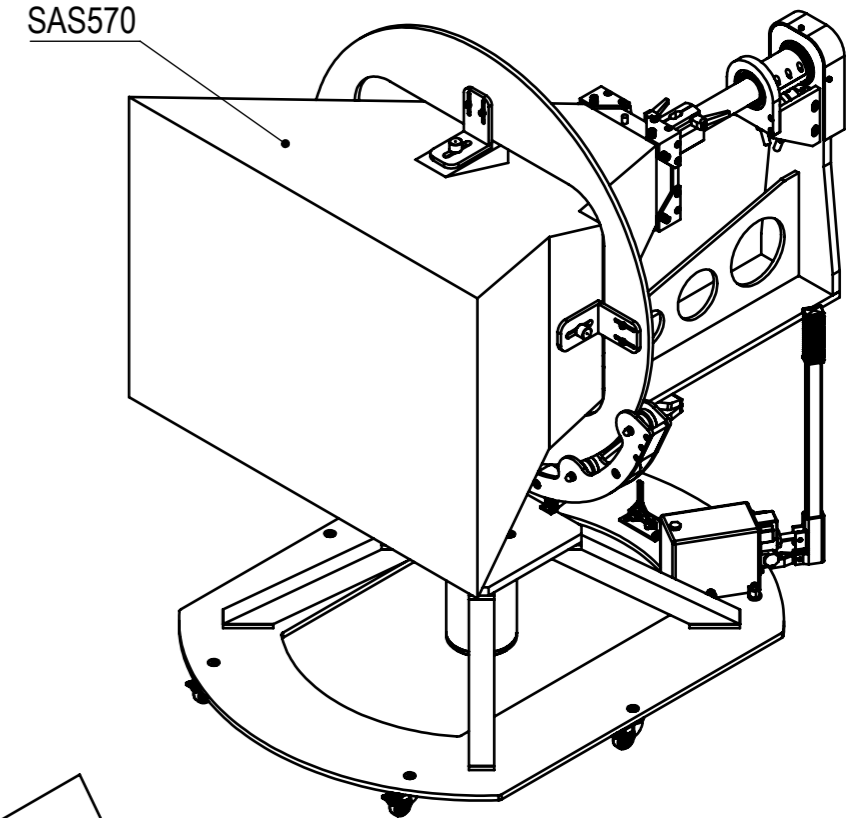
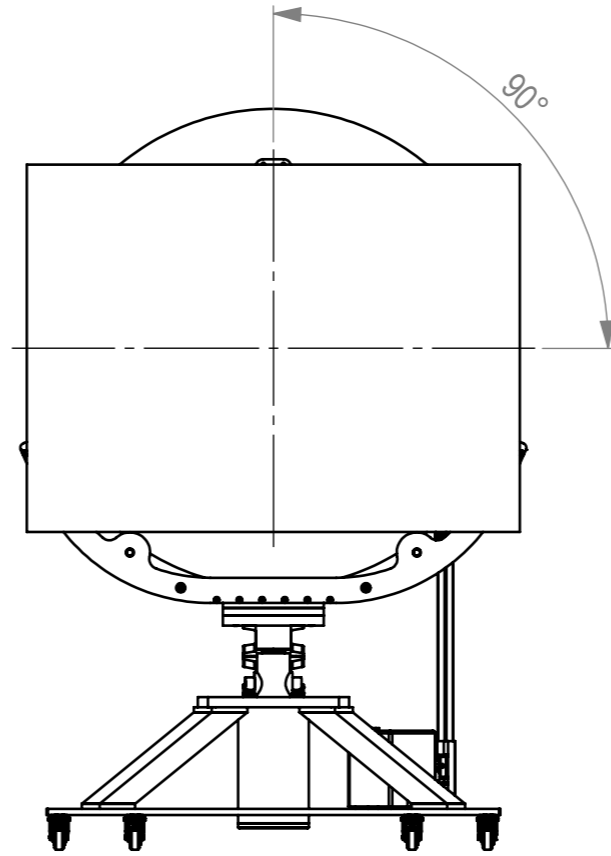
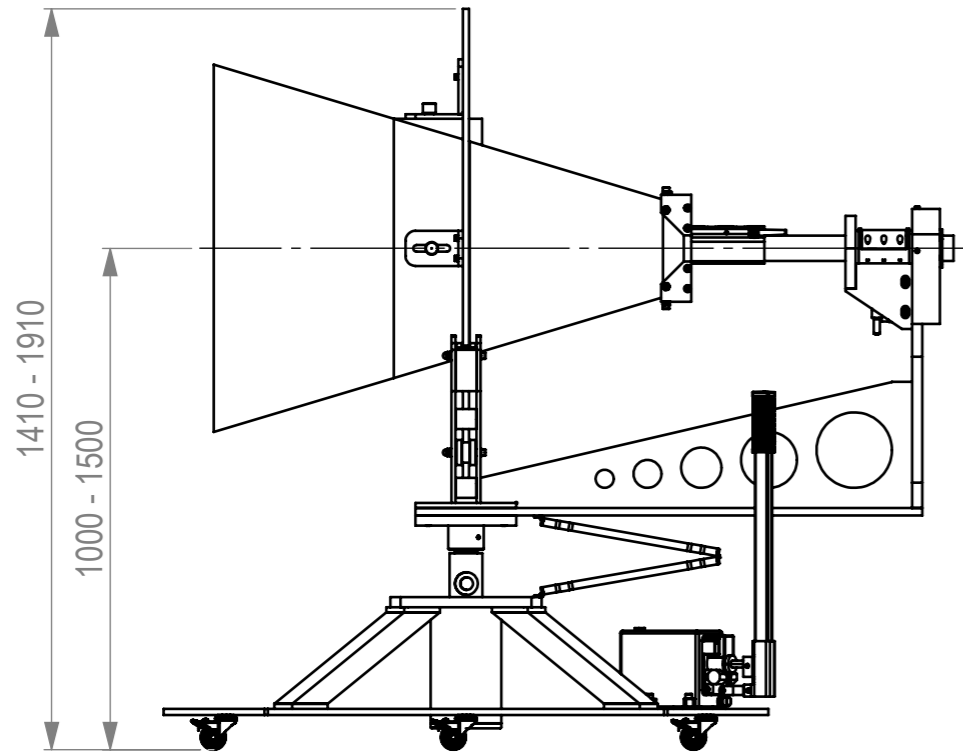
**ABSOLUTE EMC** Llc.  
Covering sales in North America  
United States, Mexico, & Canada

absolute-emc.com  
Phone:703-774-7505  
info@absolute-emc.com

Phone: +49 (0)9606 923913-0  
Fax: +49 (0)9606 923913-29

eMail: info@matur-gmbh.de  
Web: www.matur-gmbh.de

NOTE: The information or material contained in this document is STRICTLY CONFIDENTIAL and any recipient of this document shall not disclose or divulge, directly or indirectly, this document or the information or material contained herein without the written consent of the company matura-gmbh. All copyrights, trademarks, patents and other rights in connection herewith are expressly reserved to the company matura-gmbh and no license is created hereby.




HINWEIS: Sämtliche Informationen, die in diesem Dokument enthalten sind, sind STRENG VERTRAULICH. Jeder Empfänger dieses Dokuments darf die darin enthaltenen Informationen, direkt oder indirekt, nur mit ausschliesslicher, schriftlicher Zustimmung der Firma matura-gmbh an Dritte weitergeben oder übertragen. Die Firma matura-gmbh behält sich alle Rechte in Bezug auf Urheberrechtsgesetz, Patent- und Gebrauchsmusterschutz vor. Lizenzrechte werden hierdurch nicht erteilt.

Sales Partner:



**ABSOLUTE EMC** LLC.  
Covering sales in North America  
United States, Mexico, & Canada

absolute-emc.com  
Phone: 703-774-7505  
info@absolute-emc.com

Projekt-Nr. / project-no. <b>P-4044.01</b>		Gewicht / weight <b>93.45 kg</b>		Material / material	Bearbeitung / treatment
Toleranz / tolerance <b>DIN ISO 2768 T1 - m DIN ISO 2768 T2 - K</b>		Datum / date 22.05.2024	Name / name Alwang	Titel / title <b>MAS1.0_1.5-35kg</b>	
		gezeichnet / signed		Zeichnungs-Nr. / drawing-no.	
		geprüft / checked		Artikel-Nr. / order-no.	
		freigegeben / approved		Blatt / sheet 1 / 1	
		SolidWorks			
		 Am Kalvarienberg 24 92536 Pfreimd Germany			
K:\SolidWORKS_Projekte\Projekte P-4000 bis P-4099\4044\IP-4044.01\MAS1.0_1.5-35kg\					